

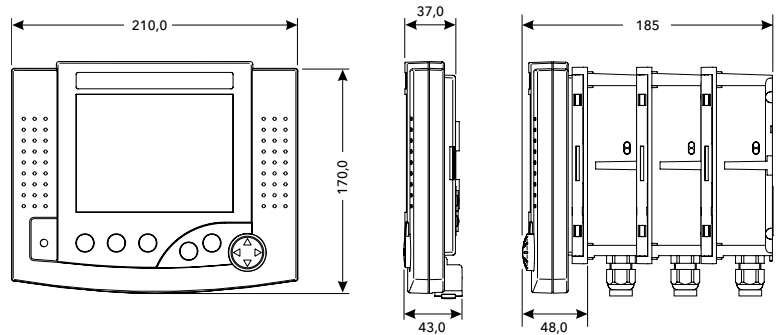
IQ SENSOR NET Terminal/Controller



MIQ/TC 2020 3G - The heart of every IQ SENSOR NET system 2020, a multi-parameter system for up to 20 sensors with USB interface, remote maintenance and remote communication.

Terminal IQ - the costeffective supplement without Controller function.

We would like to inform you about the application range on our website



Technical Data

Model	Terminal-/Controller MIQ/TC 2020 3G	Terminal IQ
MIQ Module Coupling at Rear	Combined mechanical and electrical connection, for rapid coupling to MIQ modules	
USB interface	USB-A (host)	
Display	Graphic display; resolution: 320 x 240 pixel; visible area: 4.49 x 3.39 in. (114 x 86 mm), black/white, backlit	
Control Functions/Function Keys	5 operating keys: 3 master keys for functions: Measurement (M), calibration (C), set/system settings (S), 2 keys for: confirmation/switching menu O.K. (OK), Escape (ESC) 4-directional button for rapid selection of software functions and input of alphanumeric values	
Controller	Yes	No
Controller-BackUp	Yes	No
Conditions	None	Requires a MIQ/TC 2020 3G(XT) in the system
Datalogger	Data memory for up to 525,600 data sets	No, but all data can be downloaded on USB
Electric Supply	Directly via the IQ SENSOR NET when coupled to MIQ module	
Ambient Conditions	Operating temperature: -4 °F ... 131 °F (-20 °C ... +55 °C) Storage temperature: -13 °F ... 149 °F (-25 °C ... +65 °C)	
Housing Material	ASA (Acrylonitrile-Styrene-Acryloesterpolymer)	
Protection Rating	IP 66 / corresponding to NEMA 4X (not for direct conduit connections). Conduits need to be connected with flexible adapters (CC-Box), respectively with adapters CC-PM..	
Dimensions (W x H x D)	8.27 x 6.69 x 1.57 in. (210 x 170 x 40 mm)	
Weight	Approx. 1.98 pounds (0.9 kg)	
Certifications	ETL, cETL (conforms with relevant UL and Canadian standards), CE	
Electromagnetic Compatibility	EN 61326-1, Class B; FCC Class A	
Integrated Overvoltage Protection	According to EN 61326-1 enhanced overvoltage protection for the entire system, implemented in each component	
Connection Characteristics	Comprehensive EMC shield control; cable topology within IQ SENSOR NET system as required, e.g. in the form of a line, tree, star, multiple star; Total cable length: max. 1000 m/1094 yds (without signal amplifying), with signal amplifying module MIQ/JBR additional 1000 m/1094 yds (max 3000 m/3282 yds)	
Warranty	3 years for defects of quality	

Model	Description	Order No.
MIQ/TC 2020 3G	Module IQ terminal/controller, configurable as a controller (fixed installation) or as a terminal with redundant controller function for system 2020, with USB interface, can be coupled to any IQ SENSOR NET module	470020
Terminal IQ	Like MIQ/TC 2020 3G, but without Controller(BackUp) function	470021
MIQ/TC 2020 3G-CR3	Starter set consisting of MIQ/TC 2020 3G terminal/controller, MIQ/CR3 combined output module with 3 analog outputs (0/4-20 mA) and 3 relay outputs, MIQ/PS wide range power supply	470022
MIQ/TC 2020 3G-C6	Starter set consisting of MIQ/TC 2020 3G terminal/controller, MIQ/C6 output module with 6 analog outputs (0/4-20 mA), MIQ/PS wide range power supply	470024
MIQ/TC 2020 3G-EF	Starter set consisting of MIQ/TC 2020 3G terminal/controller, MIQ/MC3 controller with fieldbus protocols, MIQ/PS wide range power supply	470026

